

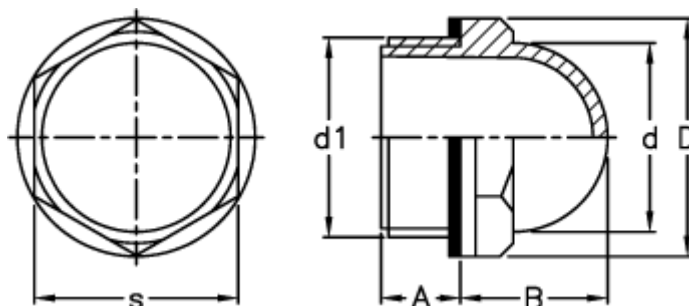
Data Sheet



Article number: 2311010851

Description: E+G Oil circulation sight
HCFE.12-3/8

Measures



A	= 7.5
B	= 13.0
d	= 15
D	= 22.5
d1	= G 3/8
s	= 19.0
Tightening torque N m = 3 to 5	